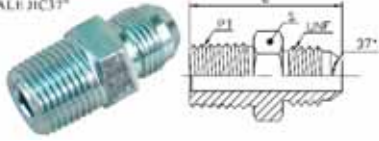


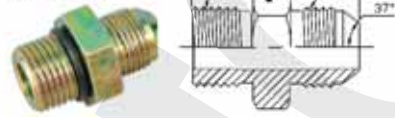
# JIC 37

直型接頭 PT\*TH  
MALE CONNECTOR  
MALE BSPT/MALE JIC37\*



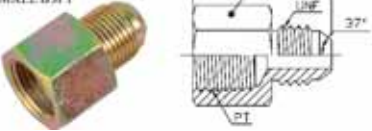
JM-BMT

直型大口角接頭 FF O-RING\*TH  
STRAIGHT THREAD CONNECTOR  
MALE BSPP O-RING-MALE JIC37\*



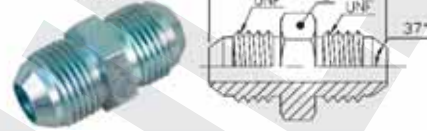
JM-BMO

精細接頭 TH\*PT內  
FEMALE CONNECTOR  
MALE JIC37\*/FEMALE BSPT



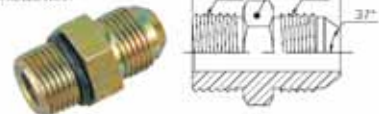
JM-BNT

直型接頭 TH\*TH  
TUBE UNION  
MALE JIC37\*-BOTH ENDS



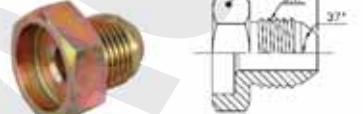
JM-JM

直型大口角接頭 TH O-RING\*TH  
STRAIGHT THREAD CONNECTOR  
MALE JIC O-RING/MALE JIC37\*



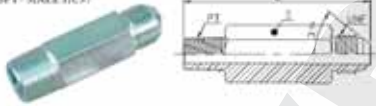
JM-SMO

TH 大口角接頭  
LARGE HEX WELD CONNECTOR  
MALE JIC37\* WELD TUBE



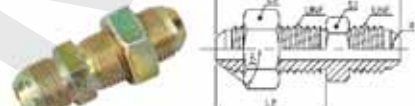
JM-LVR

直型加長接頭 PT\*TH  
MALE CONNECTOR LONG  
MALE BSPT/MALE JIC37\*



JM-BMTL

直型扁頭接頭 TH\*TH  
BULKHEAD UNION CONNECTOR  
MALE JIC37\*-BOTH ENDS



JM-JML

彎型接頭 PT\*TH MALE BSPT/MALE JIC37\*  
MALE ELBOW



JM-BMT 90

彎型內牙接頭 TH\*PT內  
FEMALE ELBOW MALE JIC37\*/FEMALE BSPT



JM-BNT 90

彎型接頭 厚殼\*TH  
WELD ELBOW WELD TUBE/MALE JIC37\*



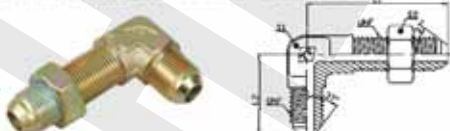
JM-LVR 90

彎型接頭 TH\*TH MALE JIC37\*-BOTH ENDS  
UNION ELBOW



JM-JM 90

彎型扁頭 TH\*TH  
BULKHEAD UNION ELBOW MALE JIC37\*-BOTH ENDS



JM-JML 90

彎型加長 PT\*TH  
MALE ELBOW LONG MALE BSPT/MALE JIC37\*



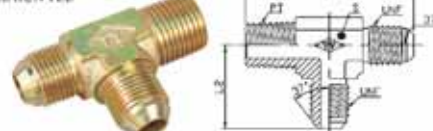
JM-BMTL 90

三通接頭 TH\*PT\*TH MALE JIC37\*/MALE BSPT  
MALE BRANCH TEE

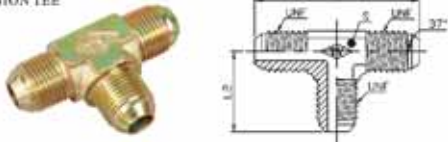
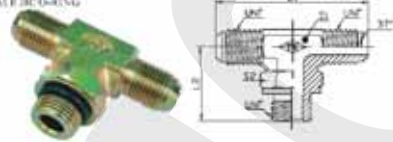
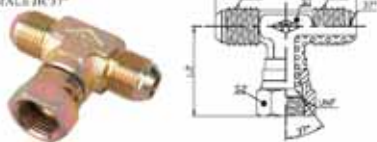



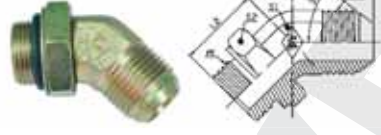
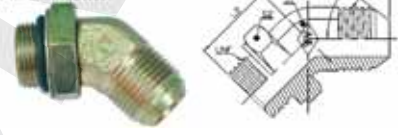



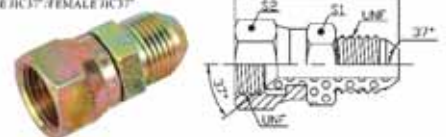






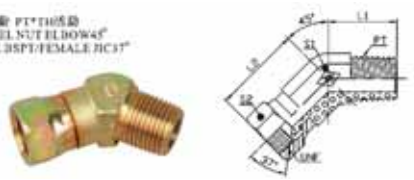

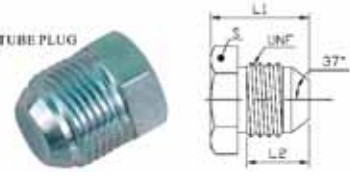
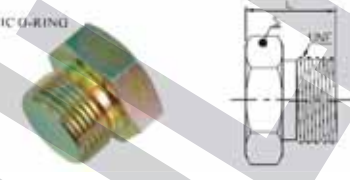
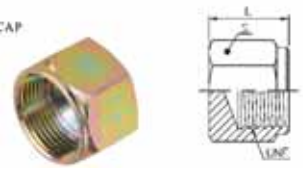
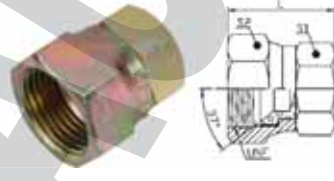
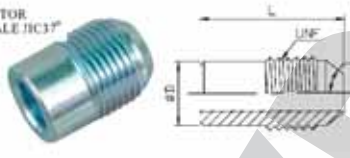
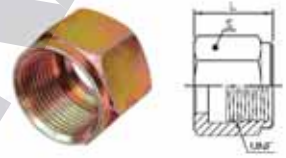
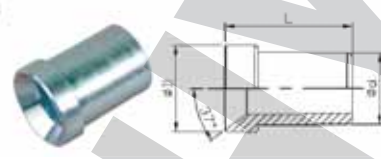
JM-BMT-JM

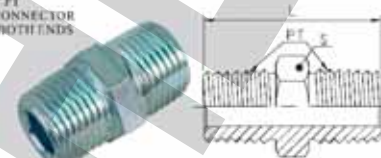
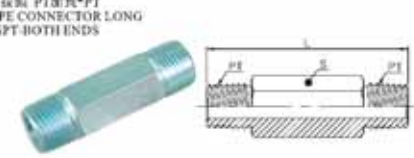
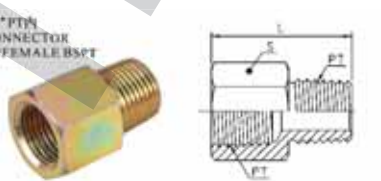
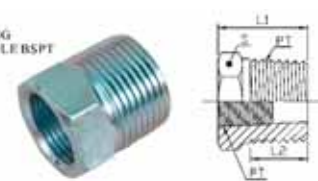
三通接頭 PT\*TH\*TH MALE BSPT/MALE JIC37\*  
MALE RUN TEE



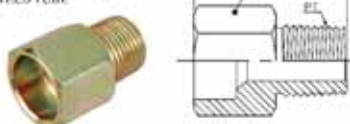


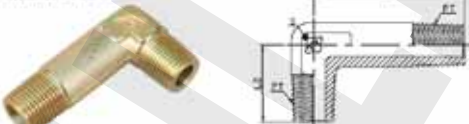
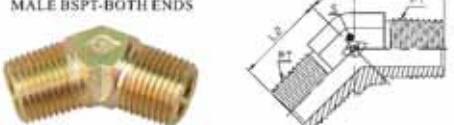
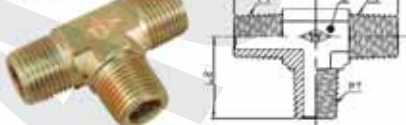
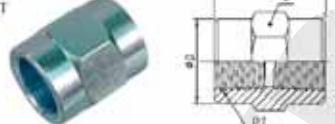
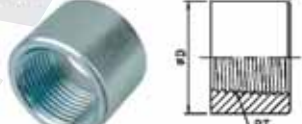

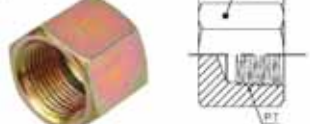
BMT-JM-JM

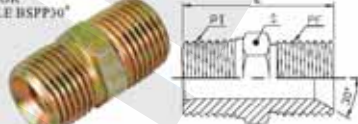
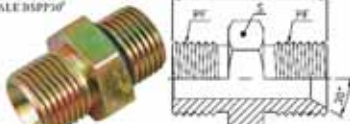
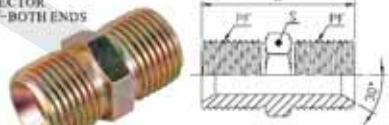
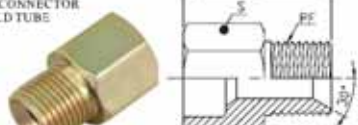
<p>三通接頭 TH*TH*TH MALE JIC37-ALLENDIS UNION TEE</p>  <p>JM-JM-JM</p>	<p>三通異徑接頭 ADJUSTABLE MALE BRANCH TEE MALE JIC37/MALE JIC O-RING</p>  <p>JM-SMO-JM</p>
<p>三通活瓣 TH*TH活瓣*TH SWIVEL NUT BRANCH TEE MALE JIC37/FEMALE JIC37</p>  <p>JM-JS-JM</p>	<p>三通活瓣 TH*TH活瓣*TH SWIVEL NUT BRN TEE MALE JIC37/FEMALE JIC37</p>  <p>JS-JM-JM</p>
<p>45°接頭 PT*TH MALE ELBOW JIC45° MALE BSPT/MALE JIC37</p>  <p>JM-BMT 45</p>	<p>45°接頭焊管*TH WELD ELBOW45° WELD TUBE/MALE JIC37</p>  <p>JM-LVR 45</p>
<p>45°萬向接頭 可萬向*TH ADJUSTABLE MALE ELBOW45° MALE BSPP O-RING/MALE JIC37</p>  <p>JM-BMO 45</p>	<p>45°萬向接頭 TH萬向*TH ADJUSTABLE MALE ELBOW45° MALE JIC O-RING/MALE JIC37</p>  <p>JM-SMO 45</p>
<p>轉型萬向接頭 可萬向*TH ADJUSTABLE MALE ELBOW MALE BSPP O-RING/MALE JIC37</p>  <p>JM-BMO 90</p>	<p>轉型萬向接頭 TH萬向*TH ADJUSTABLE MALE ELBOW MALE JIC37/MALE JIC O-RING</p>  <p>JM-SMO 90</p>
<p>直型活瓣 PT*TH活瓣 SWIVEL NUT ADAPTER MALE BSPT/FEMALE JIC37</p>  <p>JS-BMT</p>	<p>直型活瓣 TH*TH活瓣 SWIVEL NUT ADAPTER MALE JIC37/FEMALE JIC37</p>  <p>JS-JM</p>
<p>直型活瓣 PT*TH活瓣 SWIVEL NUT ADAPTER FEMALE BSPP/FEMALE JIC37</p>  <p>JS-BNT</p>	<p>轉型活瓣 PT*TH活瓣 SWIVEL NUT ELBOW MALE BSPT/FEMALE JIC37</p>  <p>JS-BMT 90</p>
<p>轉型活瓣 TH*TH活瓣 SWIVEL NUT ELBOW MALE JIC37/FEMALE JIC37</p>  <p>JM-JM 90</p>	<p>轉型活瓣 PT*TH活瓣 SWIVEL NUT ELBOW FEMALE BSPT/FEMALE JIC37</p>  <p>JS-BNT 90</p>


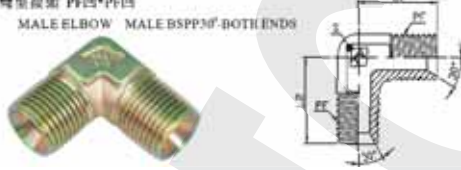
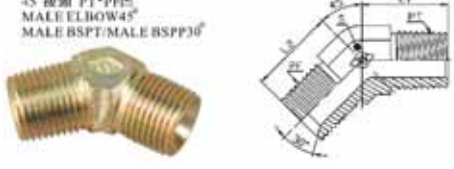
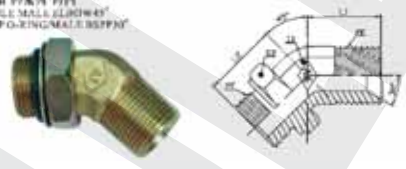
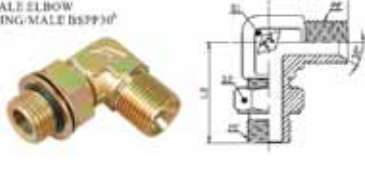
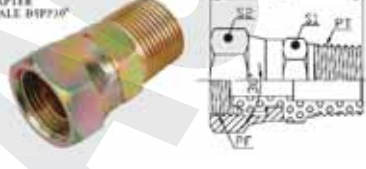
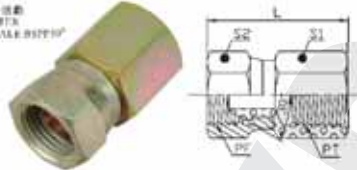
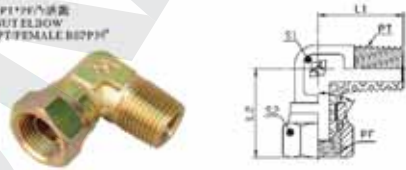
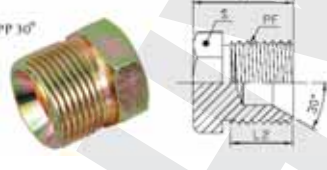

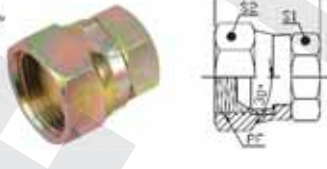

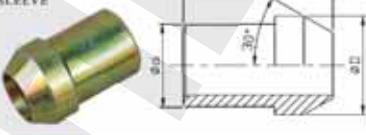
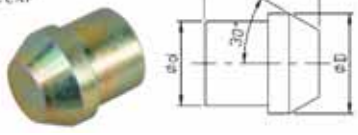
<p>45°活動 PT*TH活動 SWIVEL NUT ELBOW 45° MALE BSPT/FEMALE JIC37°</p>  <p>JS-BMT 45</p>	<p>45°活動 TH*TH活動 SWIVEL NUT ELBOW 45° MALE JIC37°/FEMALE JIC37°</p>  <p>JS-JM 45</p>
<p>TH 塞頭 PLUG MALE JIC37° TUBE PLUG</p>  <p>JM PLUG</p>	<p>TH 封閉塞頭 MALE PLUG JIC O-RING</p>  <p>SMO PLUG</p>
<p>TH 螺母塞頭 FEMALE TUBE CAP FEMALE JIC37°</p>  <p>JN CAP</p>	<p>TH 活動塞頭 SWIVEL PLUG FEMALE JIC37°</p>  <p>JS PLUG</p>
<p>TH 半螺絲 WELD CONNECTOR WELD TUBE/MALE JIC37°</p>  <p>WJM</p>	<p>TH 螺帽 TUBE NUT FEMALE JIC37°</p>  <p>HN NUT</p>
<p>TH 套焊心 TUBE SLEEVE JIC SLEEVE</p>  <p>HNS SLEEVE</p>	

<b>BSPT</b>	
<p>真空接頭 PT*PT MALE PIPE CONNECTOR MALE BSPT/BOTH ENDS</p>  <p>BMT-BMT</p>	<p>真空加長接頭 PT加長*PT MALE PIPE CONNECTOR LONG MALE BSPT-BOTH ENDS</p>  <p>BMT-BMTL</p>
<p>縮接接頭 PT*PT內 FEMALE CONNECTOR MALE BSPT/FEMALE BSPT</p>  <p>FM CONNECTOR</p>	<p>卜申 REDUCER BUSHING MALE BSPT/FEMALE BSPT</p>  <p>BH BUSHING</p>



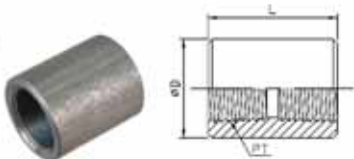

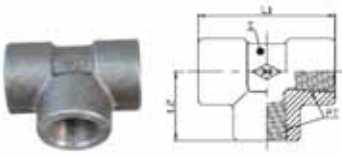

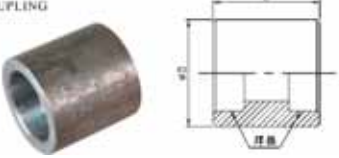
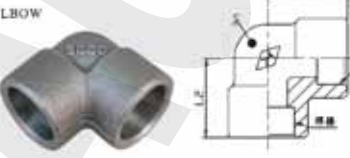


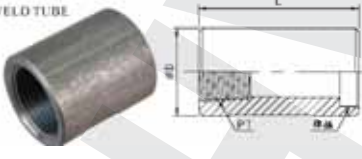
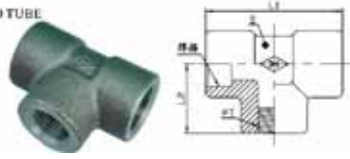
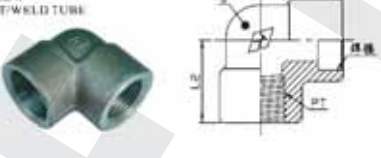


<p>PT 大六角形 LARGE HEX WELD CONNECTOR MALE BSPT/WELD TUBE</p>  <p>BMT-LVR</p>	<p>彎型接頭 PT*PT MALE BSPT-BOTH/ENDS MALE PIPE ELBOW</p>  <p>BMT-BMT 90</p>
<p>彎內外牙接頭 PT*PT內 STREET ELBOW MALE BSPT/FEMALE BSPT</p>  <p>BMT-BNT 90</p>	<p>彎型加長 PT*PT MALE BSPT-BOTH/ENDS MALE PIPE ELBOW LONG</p>  <p>BMT-BMTL 90</p>
<p>45°接頭 PT*PT MALE PIPE ELBOW 45° MALE BSPT-BOTH ENDS</p>  <p>BMT-BMT 45</p>	<p>三通接頭 PT*PT*PT MALE BSPT-ALL ENDS MALE PIPE TEE</p>  <p>BMT-BMT-BMT</p>
<p>PT 雙內牙 SOCKET FEMALE BSPT</p>  <p>BNT-BNT</p>	<p>PT 半內牙 WELD-ON HALF COUPLING FEMALE BSPT</p>  <p>PES</p>
<p>PT 塞頭 PIPE PLUG MALE PLUG BSPT</p>  <p>BMT PLUG</p>	<p>PT 螺母塞頭 FEMALE PIPE CAP FEMALE BSPT</p>  <p>BNT CAP</p>

<b>BSPP</b>	
<p>直型接頭 PT*PT內 MALE CONNECTOR MALE BSPT/MALE BSPP30°</p>  <p>BM-BMT</p>	<p>直帶大六角形螺絲 PT*PT內 STRAIGHT THREAD CONNECTOR MALE BSPT/PT*PT內 MALE BSPP30°/RING/MALE BSPP30°</p>  <p>BM-BMO</p>
<p>直型接頭 PT*PT內 UNION CONNECTOR MALE BSPP30°-BOTH ENDS</p>  <p>BM-BM</p>	<p>PT 大六角形螺絲 LARGE HEX WELD CONNECTOR MALE BSPP10°/WELD TUBE</p>  <p>BM-LVR</p>

<p>轉型接頭 PT*PF內 MALE ELBOW MALE BSPT/MALE BSPP30°</p>  <p>BM-BMT 90</p>	<p>轉型接頭 PFE*PFE MALE ELBOW MALE BSPP30°-BOTH ENDS</p>  <p>BM-BM 90</p>
<p>45°接頭 PT*PF內 MALE ELBOW45° MALE BSPT/MALE BSPP30°</p>  <p>BM-BMT 45</p>	<p>45°調節接頭 PF與內*PF內 ADJUSTABLE MALE ELBOW45° MALE BSPP-O-RING/MALE BSPP30°</p>  <p>BM-BMO 45</p>
<p>轉型調節接頭 PF與內*PF內 ADJUSTABLE MALE ELBOW MALE BSPP-O-RING/MALE BSPP30°</p>  <p>BM-BMO 90</p>	<p>旋轉調節 PT*PF凸活動 SWIVEL NUT ADAPTER MALE BSPT/FEMALE BSPP30°</p>  <p>BS-BMT</p>
<p>旋轉調節 PT內*PF凸活動 SWIVEL NUT ADAPTER FEMALE BSPT/FEMALE BSPP30°</p>  <p>BS-BNT</p>	<p>轉型調節 PT*PF凸活動 SWIVEL NUT ELBOW MALE BSPT/FEMALE BSPP30°</p>  <p>BS-BMT 90</p>
<p>PF凸塞頭 PF 30° PLUG MALE PLUG BSPP 30°</p>  <p>BM PLUG</p>	<p>PF凸封塞頭 PF O-RING PLUG MALE PLUG BSPP O-RING</p>  <p>BMO PLUG</p>
<p>PF凸活動塞頭 SWIVEL PLUG FEMALE BSPP30°</p>  <p>BS PLUG</p>	<p>PF螺帽 NUT FEMALE BSPP</p>  <p>PSXA NUT</p>
<p>PF凸管環心 SLEEVE MALE BSPP30° SLEEVE</p>  <p>PSWCV SLEEVE</p>	<p>PF凸內管心 SEAL CAP BSPP30° SEAL CAP</p>  <p>PSWV SLEEVE</p>

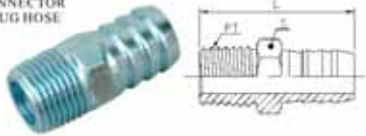

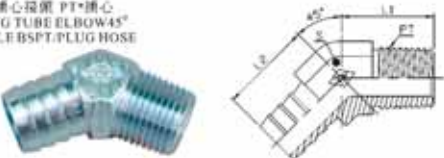
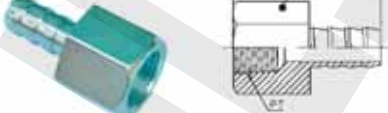
<b>BMI</b>	
<p>直車接頭 PT*PF凸 MALE CONNECTOR MALE BSPT/MALE BSPP30°</p>	<p>直車大/角接頭 PF O-RING*PF凸 STRAIGHT THREAD CONNECTOR MALE BSPP O-RING/MALE BSPP30°</p>
<b>BMI-BMT</b>	<b>BMI-BMO</b>
<p>直車接頭 PF凸*PF凸 UNION CONNECTOR MALE BSPP 30°-BOTH ENDS</p>	<p>彎車接頭 PT*PF凸 MALE BSPT/MALE BSPP30° MALE ELBOW</p>
<b>BMI-BMI</b>	<b>BMI-BMT 90</b>
<p>彎車接頭 PF凸*PF凸 MALE ELBOW MALE BSPP30°-BOTH ENDS</p>	<p>彎車加長 PT*PF凸 MALE BSPT/MALE BSPP30° MALE ELBOW LONG</p>
<b>BMI-BMI 90</b>	<b>BMI-BMTL 90</b>
<p>45°接頭 PT*PF凸 MALE ELBOW 45° MALE BSPT/MALE BSPP30°</p>	<p>45°萬向接頭 PF O-RING*PF凸 ADJUSTABLE MALE ELBOW 45° MALE BSPP O-RING/MALE BSPP30°</p>
<b>BMI-BMT 45</b>	<b>BMI-BMO 45</b>
<p>彎車萬向接頭 可調向*PF凸 ADJUSTABLE MALE ELBOW MALE BSPP O-RING/MALE BSPP30°</p>	<p>PF凸塞頭 PF30° PLUG MALE PLUG BSPP 30°</p>
<b>BMI-BMO 90</b>	<b>BMI PLUG</b>
<p>PF凸活動塞頭 SWIVEL PLUG FEMALE BSPP30°</p>	<p>PF凸螺帽 NUT FEMALE BSPP</p>
<b>BFS PLUG</b>	<b>PSXA NUT</b>
<p>PF凸套環 SLEEVE MALE BSPP30° SLEEVE</p>	<p>PF凸內塞心 SEAL CAP BSPP30° SEAL CAP</p>
<b>PSLCV SLEEVE</b>	<b>PSLV SLEEVE</b>

# BSPT 3000PSI

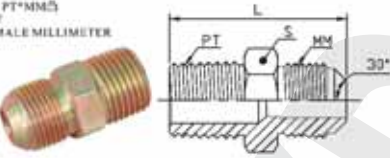
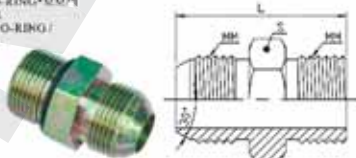
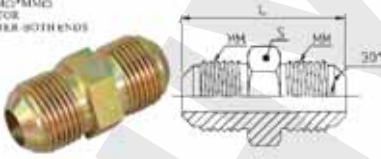
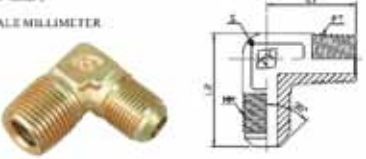

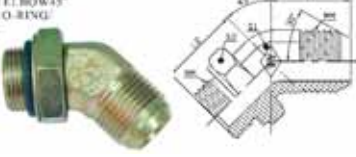
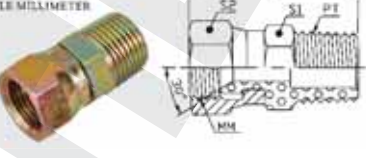
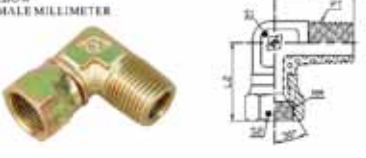
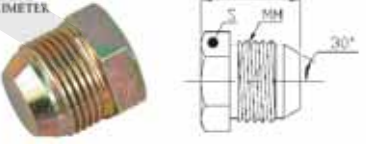
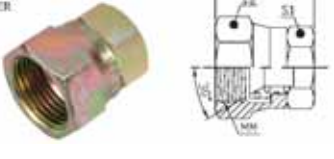
<p>PT 雙內牙 (圓) SOCKET FEMALE BSPT</p>  <p>PPEM</p>	<p>高壓內牙彎頭 FEMALE PIPE ELBOW FEMALE BSPT</p>  <p>BNT-BNT 90</p>
<p>高壓三通內牙 FEMALE PIPE TEE FEMALE BSPT</p>  <p>BNT-BNT-BNT 90</p>	<p>高壓45°內牙 FEMALE PIPE ELBOW 45° FEMALE BSPT</p>  <p>BNT-BNT 45</p>
<p>高壓對齊直接管 WELD TUBE COUPLING WELD TUBE</p>  <p>PPEM2C</p>	<p>高壓對齊彎頭 WELD TUBE ELBOW</p>  <p>PSL</p>
<p>高壓對齊三通 WELD TUBE TEE</p>  <p>PST</p>	<p>高壓45°對齊 WELD TUBE ELBOW 45°</p>  <p>PSF</p>
<p>高壓內牙對齊直接管 COUPLING FEMALE BSPT/WELD TUBE</p>  <p>PPEC</p>	<p>高壓內牙對齊三通 FEMALE TEE FEMALE BSPT/WELD TUBE</p>  <p>CSC</p>
<p>高壓內牙對齊彎頭 FEMALE ELBOW FEMALE BSPT/WELD TUBE</p>  <p>JCSU</p>	<p>高壓內牙直徑 UNION PIPE COUPLING FEMALE BSPT</p>  <p>UB</p>
<p>高壓對齊直徑 UNION WELD TUBE COUPLING WELD TUBE</p>  <p>UBC</p>	




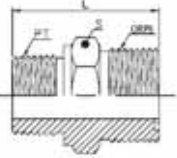

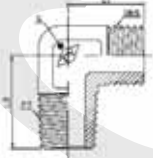

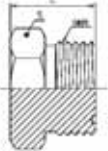
# HOSE NIPPLE


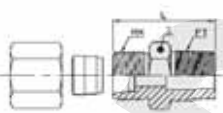

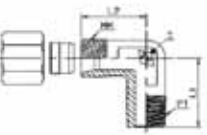



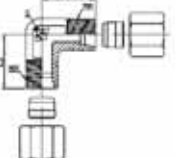

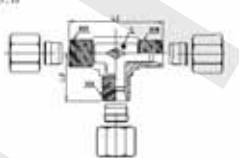

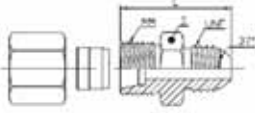

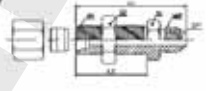

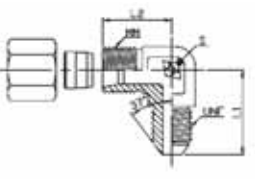

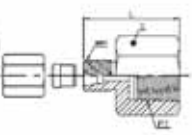

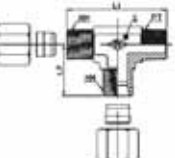
<p>直型插心接頭 PT*插心 PLUG TUBE CONNECTOR MALE BSPT/PLUG HOSE</p>  <p>PN-S</p>	<p>彎型插心 PT*插心 PLUG TUBE ELBOW MALE BSPT/PLUG HOSE</p>  <p>PN-L</p>
<p>45°插心接頭 PT*插心 PLUG TUBE ELBOW45° MALE BSPT/PLUG HOSE</p>  <p>PN-F</p>	<p>直型插心 PT內牙*插心 PLUG TUBE CONNECTOR FEMALE BSPT/PLUG HOSE</p>  <p>PNS</p>

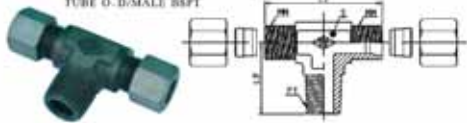





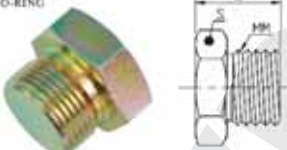
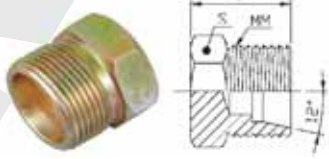
# KOMUTSU

<p>直型卡環接頭 PT*MM內 MALE ELBOW MALE BSPT/MALE MILLIMETER</p>  <p>KM-BMT</p>	<p>直型卡環接頭 MM O-RING*MM內 UNION CONNECTOR MALE MILLIMETER O-RING/ MALE MILLIMETER</p>  <p>KM-KMO</p>
<p>直型卡環接頭 MM內*MM內 UNION CONNECTOR MALE MILLIMETER BOTH ENDS</p>  <p>KM-KM</p>	<p>彎型卡環接頭 PT*MM內 MALE ELBOW MALE BSPT/MALE MILLIMETER</p>  <p>KM-BMT 90</p>
<p>彎型卡環接頭 MM內向*MM內 ADJUSTABLE MALE ELBOW MALE MILLIMETER O-RING/ MALE MILLIMETER</p>  <p>KM-KMO 90</p>	<p>45°直型接頭 MM內向*MM內 ADJUSTABLE MALE ELBOW45° MALE MILLIMETER O-RING/ MALE MILLIMETER</p>  <p>KM-KMO 45</p>
<p>轉動接頭 PT*MM活動 SWIVEL NUT ADAPTE MALE BSPT/FEMALE MILLIMETER</p>  <p>KS-BMT</p>	<p>彎型接頭 PT*MM活動 SWIVEL NUT ELBOW MALE BSPT/FEMALE MILLIMETER</p>  <p>KS-BMT 90</p>
<p>直型卡環 PLUG MALE PLUG MILLIMETER</p>  <p>KM PLUG</p>	<p>直型卡環活動接頭 SWIVEL PLUG FEMALE MILLIMETER</p>  <p>KS PLUG</p>



ORM	
直管接頭 PT*ORFS型 MALE CONNECTOR MALE BSPT/MALE ORFS  	彎型接頭 PT*ORFS 型 MALE ELBOW MALE BSPT/MALE ORFS  
ORM-BMT	ORM-BMT 90
ORFS 插封塞頭 MALE PLUG ORFS  	
ORM PLUG	

ข้อต่อต่างใ้	
鋼管直型接頭 O.D*PT MALE CONNECTOR TUBE O.D/MALE BSPT  	彎型鋼管接頭 O.D*PT MALE ELBOW TUBE O.D/MALE BSPT  
KCT	KLN
表面無毛刺接頭 O.D*O.D FLARELESS UNION TUBE O.D-BOTH ENDS  	彎型無毛刺接頭 O.D*O.D UNION ELBOW TUBE O.D-BOTH ENDS  
KUA	KLA
三通無毛刺接頭 O.D*O.D*O.D UNION TEE TUBE O.D-ALL ENDS  	鋼管直型接頭 O.D*TH MALE CONNECTOR TUBE O.D/MALE HC37  
KTA	KUC
直線開孔管接頭 O.D與開*TH BULKHEAD UNION TUBE O.D/MALE HC37  	彎型鋼管接頭 O.D*TH MALE ELBOW TUBE O.D/MALE HC37  
KUE	KLD
結核鋼管接頭 PT內牙*O.D FEMALE CONNECTOR FEMALE BSPT/TUBE O.D  	三通鋼管接頭 PT*O.D*O.D MALE RUN TEE TUBE O.D/MALE BSPT  
KGA	KTK

<p>三級鋼管接頭 <math>\phi</math>. D*PT*<math>\phi</math>. D MALE BRANCH TEE TUBE <math>\phi</math>. D/MALE BSPT</p>  <p>KTN</p>	<p>彎型加長鋼管接頭 <math>\phi</math>. D*PT加長 MALE ELBOW LONG TUBE <math>\phi</math>. D/MALE BSPT</p>  <p>KLL</p>
<p>直型加長鋼管接頭 <math>\phi</math>. D*PT加長 MALE CONNECTOR LONG TUBE <math>\phi</math>. D/MALE BSPT</p>  <p>KUT</p>	<p>鋼管凸塞心 SEAL CAP MALE FLARELESS</p>  <p>ENWL</p>
<p>鋼管心套 SLEEVE FLARELESS SLEEVE</p>  <p>KKD</p>	<p>鋼管螺帽 NUT FLARELESS NUT</p>  <p>KKN</p>
<p>承壓密封塞環 MALE PLUG MILLIMETER O-RING</p>  <p>AXO PLUG</p>	<p>鋼管凸塞面 FLARELESS PLUG MALE FLARELESS</p>  <p>AXNWL PLUG</p>