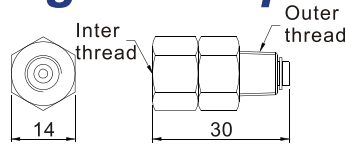
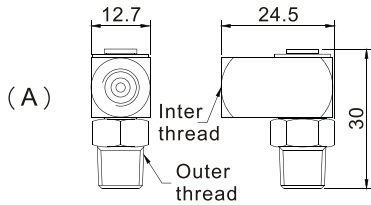


Swivel Straight Adapter

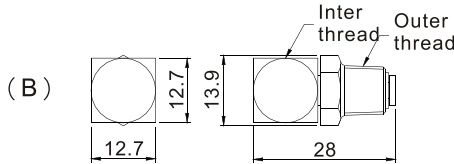


Model	Inter-thread	Outer-thread	Weight(g)
SS-101	PT1/8	PT1/8	26
SS-401	PT1/8	M8xP1.0	28

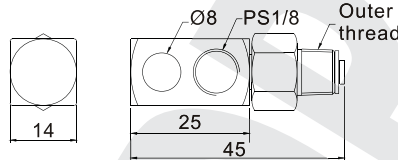
Plane Swivel Elbow Adapter



Model	Inter-thread	Outer-thread	Weight(g)
ES-401 (A)	M8xP1.0	PT1/8	38
ES-601 (A)	M10xP1.0	PT1/8	38
Model	Inter-thread	Outer-thread	Weight(g)
ES-101 (B)	PT1/8	PT1/8	36

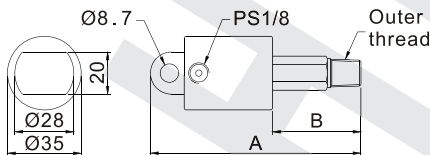


Brass Swivel Fitting



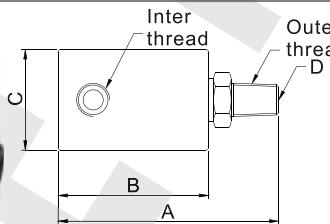
Model	Outer-thread	Weight(g)
PWN-101	PT1/8	46
PWN-201	PT1/4	50

Swivel



Model	Outer-thread	A	B	Weight(g)
PWN-130	PT1/8	88	30	150
PWN-142	PT1/8	100	42	160
PWN-160	PT1/8	118	60	180
PWN-230	PT1/4	88	30	160
PWN-242	PT1/4	100	42	170
PWN-260	PT1/4	118	60	190
PWN-342	PT3/8	100	42	154
PWN-360	PT3/8	118	60	225

Swivel



◆ Order Code :

RU-02 — L — A — * Special Request

Model L : Left Thread 02 to 15
 A : For Air W : For Water
 H : High Speed (RU-02~04), 3500~4000 RPM
 S : Standard Speed 1800~2000 RPM

Model	Thread	Bore	A	B	C	D	Inter-thread	Outer-thread	Weight(g)
RU-02	Left or Right Thread	PT1/4	88	60	Ø40	Ø7	PT1/4	PT1/4	256
RU-03		PT3/8	88	60	Ø40	Ø9	PT3/8	PT3/8	265
RU-04		PT1/2	104	70	Ø50	Ø12	PT1/2	PT1/2	484
RU-06		PT3/4	122	80	Ø60	Ø16	PT3/4	PT3/4	776
RU-10		PT1	134	93	Ø70	Ø20	PT1	PT1	1144
RU-12		PT11/4	160	110	Ø85	Ø28	PT11/4	PT11/4	1987
RU-15	PT11/2	170	120	Ø93	Ø32	PT11/2	PT11/2	2593	

* In millimeter unless otherwise stated.

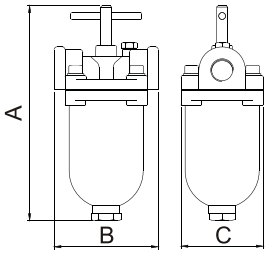
Oil Auto Cleaner



(Chen Ying)



(Japanese Filter)



Model	Specification	A	B	C	Mesh	Max Pressure	Weight (g)
A-102	PT1/4xPT1/4	160	76	60	60	25kgf/cm ²	750
					100		
A-103	PT3/8xPT3/8	160	76	60	60	25kgf/cm ²	750
					100		
A-104	PT1/2xPT1/2	200	89	71	60	25kgf/cm ²	1150
					100		
	PT3/4xPT3/4				60		
A-106	PT3/4xPT3/4	270	120	85	60 (20 μ)	25kgf/cm ²	1900
A-110	PT1xPT1				60 (20 μ)		2200

◆ Order Code :

◆ Order Code :

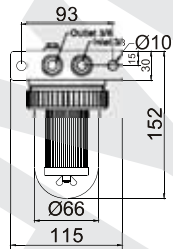
A - 102 — A

A - 104 — A — 1

Model A : 60Mesh
A-102 B : 100Mesh
A-103

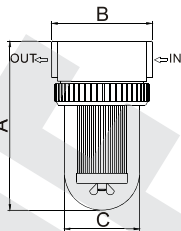
Model A : 60Mesh
B : 100Mesh
1 : PT1/2xPT1/2
2 : PT3/4xPT3/4

Fixed Oil Filter



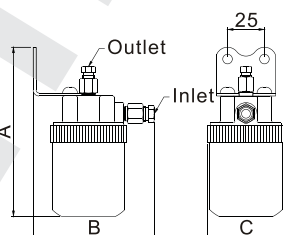
Model	Mesh	Weight(g)
PEF20	100	1036

Oil Filter



Model	Specification	A	B	C	Max Pressure	Mesh	Weight(g)
FL-2	PT1/4xPT1/4	148	88	Ø66	10kgf/cm ²	100	875
FL-3	PT3/8xPT3/8	148	88	Ø66			867
FL-6	PT3/4xPT3/4	218	114	Ø93			1340
FL-8	PT1xPT1	218	114	Ø93			1350

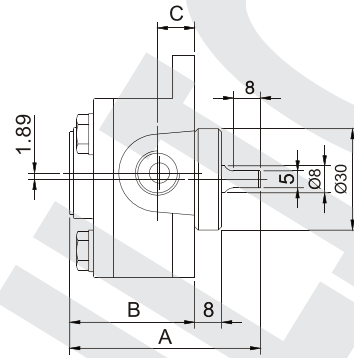
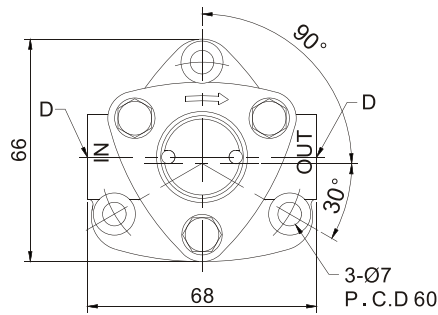
Oil Filter



Model	Specification	A	B	C	Max Pressure	Mesh	Weight(g)
A-101-1	PT1/8xPT1/8	105	85	52	10kgf/cm ²	40	260
A-101-3		115	85	52	30kgf/cm ²		440
A-101-2		115	85	52	30kgf/cm ²	400 (37 μ)	440

※ In millimeter unless otherwise stated.

Rotary Oil Pump (Clockwise or Anti-clockwise)



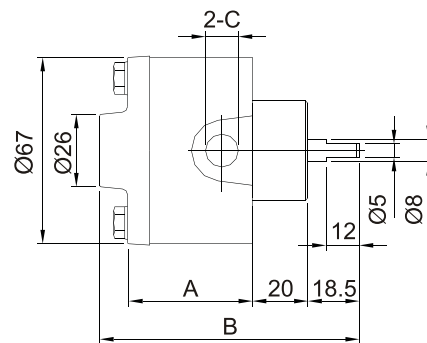
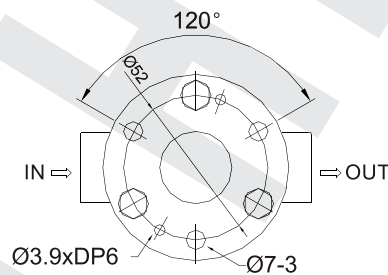
◆ Features

1. Single rotary oil pump is also called Triangular pump or oil circulation pump.
2. Recommend to assemble with 1/4 HP Horizontal Motor.
3. CYP-10A ~ 13A with different flow rate, the standard model is clockwise.
Please remark on order while request anti-clockwise one.
4. It can be added adjustable pressure valve CYP-AV as optional. The range of pressure adjustment is 2~5 kg/cm².
5. Special request on assembling with reservoir or cyclic inlet or motor with fan, etc. are available. Refer to Chen Ying Circulating Electric Lubricator series products.
6. The revolution is 1420~1720 rpm and 450~1200 rpm for choosing type of CYP-12L only.
7. It can be applied widely for lubricating or cooling in various machines.

Model	A	B	C	D
CYP-11A-1	56.5	37	11	PT1/8
CYP-11A-2				PT1/4
CYP-12A	62.5	43	11	PT1/4
CYP-12L	62.5	43	11	PT1/4
CYP-13A	77.5	58	13.5	PT3/8

Model	Dis. Volume(L/min)		Max Pressure	R.P.M
	1420rpm	1720rpm		
CYP-10A	1.0	1.2	5kgf/cm ²	1420~1720rpm
CYP-11A	1.8	2.2		
CYP-12A	3.0	3.7		
CYP-12L				1420~1720rpm
CYP-13A	5.5	6.7		

Reversible Pump (Clockwise and Anti-clockwise)



◆ Features

1. Reversible pump uses three pieces of M6*16L screw to make inlet and outlet be fixed. The rotating shaft can reverse clockwise or anti-clockwise during the operation of machine.
2. It is suitable for assembling with gear pump.
3. There are CYP-1FS~3FS available for different flow rate. The high revolution is 2,000 rpm.
4. Reversible pump is usually applied in Drilling Machines, Milling Machines, and CNC Lathes, etc.

Model	A	B	C
CYP-1FS	85	46	PT1/4
CYP-2FS	89	50	PT1/4
CYP-3FS	93	54	PT1/4

Model	Dis. Volume(L/min)		Max Pressure	R.P.M
	1420rpm	1720rpm		
CYP-1FS	1.74	2.08	5kgf/cm ²	2000rpm
CYP-2FS	2.7	3.24		
CYP-3FS	3.75	4.50		

※ In millimeter unless otherwise stated.

High Pressure Pipe Clamps



Specification	Diameter	Bore
6A	10.5mm	
8A	13.8mm Standards	PT 1/4
	12mm Special Item1	
	16mm Special Item2	
10A	17.3mm	PT 3/8
15A	21.7mm	PT 1/2
20A	27.2mm	PT 3/4
25A	34mm Standards	PT 1
	25mm Special Item1	
	30mm Special Item2	
32A	42.7mm	PT 1 1/4
40A	48.6mm	PT 1 1/2
50A	60.5mm	PT 2
65A	76.3mm	PT 2 1/2
80A	89.1mm	PT 3
100A	114.3mm	PT 4
125A	140mm	PT 5

Pipe Clips

◆Order Code :

PZ - 1 - 1 - 04 - 07

Fixed Hole Num.	Pipe Number	Pipe Diameter	Thickness(mm)
1 : 1 fixed hole	1 : 1 pipe	04 : Ø4	07 : 0.7mm
2 : 2 fixed holes	to	to	10 : 1.0mm
3 : 3 fixed holes	7 : 7 pipe	28 : Ø28	12 : 1.2mm
			15 : 1.5mm
			16 : 1.6mm
			20 : 2.0mm



No	Order Code	Fixed Hole Num.	Pipe Dia.	Pipe Num.	Thickness (mm)	Width(mm)	Length (mm)	Fixed Hole Dia.(mm)
1	PZ-110407	1	Ø4	1	0.7	10	19	5
2	PZ-120410	1	Ø4	2	1.0	10	28	5
3	PZ-130410	1	Ø4	3	1.0	10	27	5
4	PZ-140410	1	Ø4	4	1.0	10	31	5
5	PZ-150410	1	Ø4	5	1.0	10	35	5
6	PZ-110610	1	Ø6	1	1.0	10	23	5
7	PZ-120610	1	Ø6	2	1.0	10	28	5
8	PZ-130610	1	Ø6	3	1.0	12	34	5
9	PZ-110810	1	Ø8	1	1.0	10	23	5
10	PZ-120810	1	Ø8	2	1.0	12	32	5
11	PZ-111010	1	Ø10	1	1.0	10	27	5
12	PZ-111212	1	Ø12	1	1.2	12	31	5
13	PZ-111516	1	Ø15	1	1.6	20	43	7
14	PZ-110320	1	PS3/8 (Ø16.67)	1	2.0	20	47	7
15	PZ-110420	1	PS1/2 (Ø21)	1	2.0	20	52	7
16	PZ-112216	1	Ø22	1	1.6	20	48	7
17	PZ-110620	1	PS3/4 (Ø26.44)	1	2.0	20	55	7
18	PZ-112816	1	Ø28	1	1.6	20	57	7
19	PZ-113316	1	Ø33	1	1.6	20	64	7
20	PZ-110820	1	PS1 (Ø33.2)	1	1.6	20	64	7
21	PZ-114220	1	Ø42	1	2.0	20	76	7
22	PZ-115020	1	Ø50	1	2.0	20	83	7
23	PZ-116020	1	Ø60	1	2.0	20	95	7

※ In millimeter unless otherwise stated.